

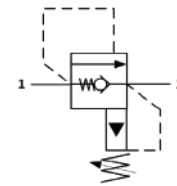
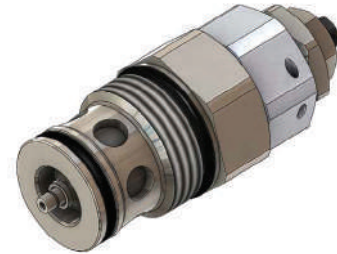


DB.P0.M26 Valve Series

METRIC Cartridge - 420 Bar
Pilot Operated with anti-cavitation
Poppet type

Description & Operation

The DB.P valve combines in one compact cartridge the typical function of relief valve and anticavitation through the check valve. It's a screw-in, pilot operated (2-stage), poppet type, normally closed valve. When the pressure at the Inlet (1) reaches the valve setting, the pilot poppet starts to open from its seat and determines the shifting of the main stage poppet that throttles oil flow to tank (2). In the free reverse flow function a light bias spring allows for ease of flow passage from side to nose (2 to 1). The cartridge offers smooth transition in response to load changes in demanding hydraulic circuits. Smooth response, reduced pressure rise and limited hysteresis.



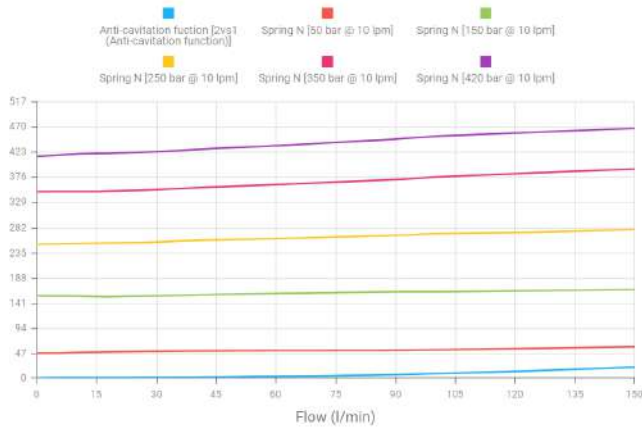
Hydraulic Symbol

Technical Data

| | |
|-------------------------------|---|
| Maximum operating pressure | 420 Bar |
| Maximum flow | 150 LPM |
| Setting Pressure | 50 - 420 Bar |
| Anti-cav cracking pressure | <1.5 bar |
| Maximum internal leakage | 1 cm ³ /min @ 100 bar |
| External component treatment | Zn/Fe - standard (96h) Zn/Ni (720h) |
| O-ring Temperature Range | -30° C to 110° C (standard sealing NBR - BUNA-N) |
| Oil Temperature Range | -30° C to 110° C |
| Pressure settings established | @ 10.00 LPM |
| Reset pressure | 90% of cracking pressure |
| Fluids | Mineral - based or synthetics with lubricating properties |
| Viscosities | 7.4 to 420 cSt |
| Filtration | 20/18/15 ISO 4406 (maximum filtration admitted) |
| Orientation | No restrictions |
| Installation torque | 70-80 Nm Hex.27 |
| Tightening torque nut | 15-20 Nm hex. 13 |
| Oil testing condition | ISO VG 46 cSt |
| Seal kit code | SLKT.145 |
| Wire seals tamper proof | Suitable design upon request |
| Weight | 0.195 kg |

Performance Curve

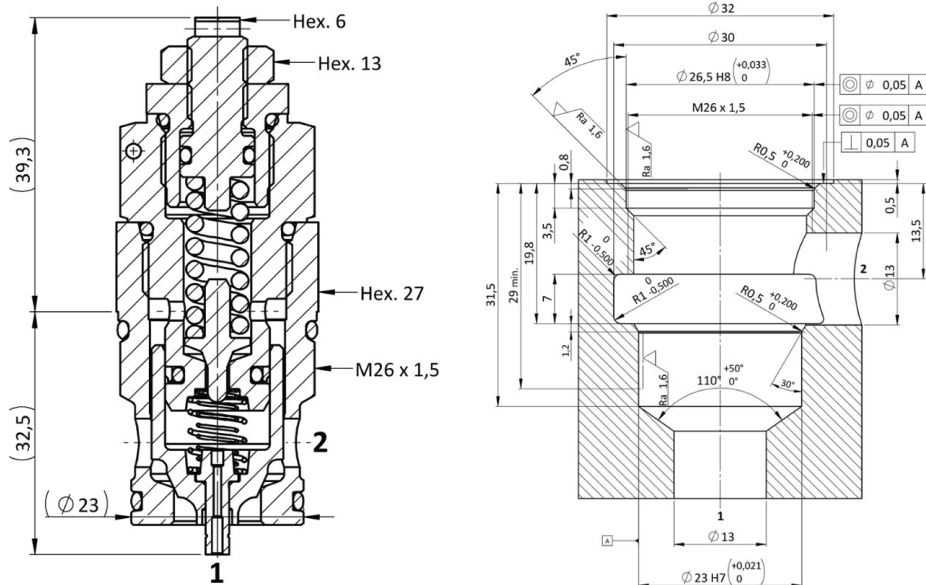
Anti-cavitation fuccion



Note: : The performance chart illustrates flow handling capacity at various settings. p/Q curves are recorded at TOil = 40°C and 46 cst

Dimensional Drawing

Cross Section and Cavity Details



Ordering Code

D B • P 0 • M 2 6 • 0 * • 0 0 0

valve basic code

Cavity
M26 = METRIC M26 x 1.5 with ø23 nose size.

Marking
0 =standard factory marking. customized marking can be done upon request

Setting Pressure in (Bar)
000= no specific setting required

Total spring range
(50 - 420 Bar)

| Spring Model Code | Setting Pressure Range (Bar) | Pressure Icrement Per Turn[Bar/turn} |
|-------------------|--------------------------------|---------------------------------------|
| N | 50 - 420 | 283 |

PO RELIEF VALVES