



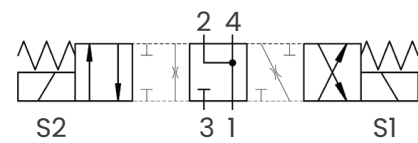
WE.B0.S08-E Valve Series

SAE Cartridge - 250 Bar

Directional Valve - 4/3 Spool Type

Description & Operation

A Solenoid operated, 4 way 3 positions, spool type, direct acting, screw-in hydraulic directional cartridge valve. In the de-energized mode ports 2,4 and 1 are connected while port 3 is blocked. When coil S1 (lower coil) is energized flow is allowed from 3 to 4 and from 2 to 1. When coil S2 (upper coil) is energized flow is allowed from 3 to 2 and from 4 to 1. The rigid design using a 1-piece body contributes to minimize the effect of eccentricities in cavity and provides great reliability. Low pressure drop thanks to optimized flow paths.

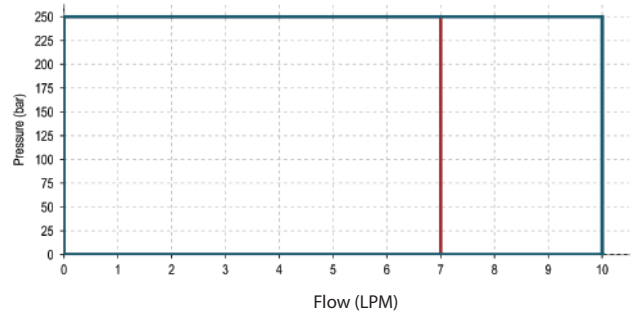
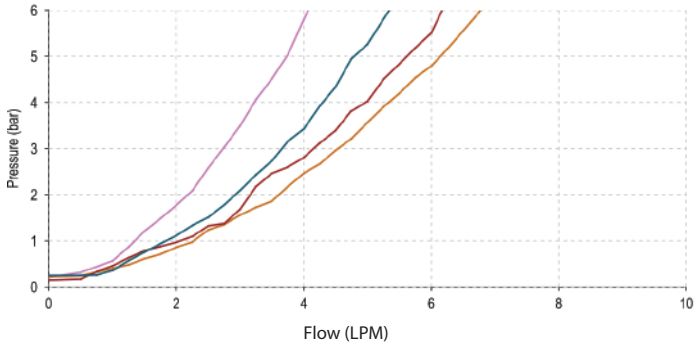


Hydraulic Symbol

Technical Data

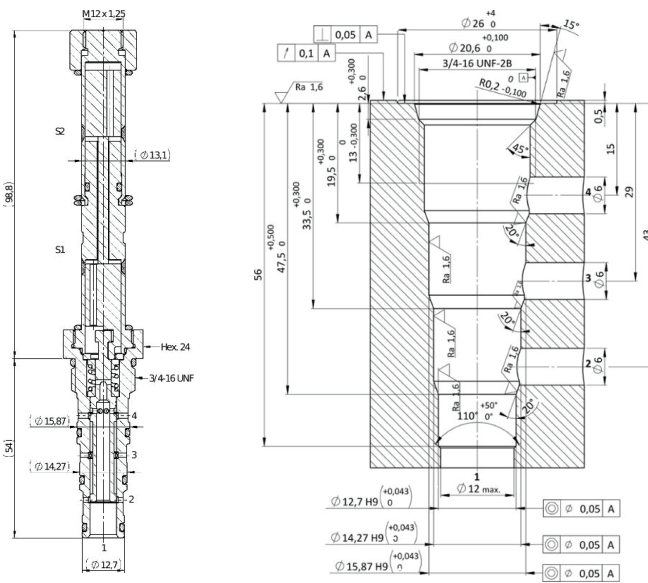
Maximum operating pressure	250 Bar
Maximum flow	10 LPM
Maximum internal leakage	120 cm ³ / min @ 250 Bar
External component treatment	Zn/Fe - standard (96h) Zn/Ni (720h)
O-ring Temperature Range	-30° C to 110° C (standard sealing NBR - BUNA-N)
Oil Temperature Range	-30° C to 110° C
Fluids	Mineral - based or synthetics with lubricating properties
Viscosities	7.4 to 420 cSt
Minimum pull-in voltage	85% of nominal
Filtration	20/18/15 ISO 4406 (maximum filtration admitted)
Orientation	No restrictions
Installation torque	40 - 45 Nm (Hex. 24)
Oil testing condition	ISO VG 46 cSt
Seal kit code	SLKT.065 & SLKT.027 (one for each coil)
Coil	18W
Weight	0.183 kg

Performance Curve



Dimensional Drawing

Cross Section and Cavity Details



Ordering Code

W E • B O • S O 8 • O * • E O O

valve basic code

Cavity
S08 = 3/4 - 16 UNF with
ø15.87 and ø14.27
and ø12.7 nose sizes.

Marking
0 = standard factory
marking. customized
marking can be done
upon request

Manual override
0 = No override

Flow path

- 2.4 and 1 connected, 3 blocked (de-energized)
- 3 to 4 and 2 to 1 (energized) S1
- 3 to 2 and 4 to 1 (energized) S2

NOTE: All Solenoid cartridge valves listed in the present catalogue are designed to work with D.C. power supply. To work with A.C. power supply, a RAC coil and connector with rectifier must be used. For any additional information, please contact your Sales contact representative.

SOLENOID VALVES