



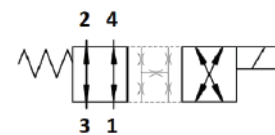
## WE.A0.S08-A Valve Series

**SAE Cartridge - 250 Bar**

**Directional Valve - 4/2 Spool Type**

### Description & Operation

A solenoid-operated, 4-way, 2-position spool-type, direct-acting, screw-in hydraulic cartridge valve. In the de-energized mode the WEA0.S08 flow paths are 1 to 4 and 3 to 2. In the energized mode the valve's spool shifts to open 1 to 2 and 3 to 4. The rigid design using a 1-piece body contributes to minimize the effect of eccentricities in cavity and provides great reliability. All ports are connected at crossover. Low pressure drop thanks to optimized paths.

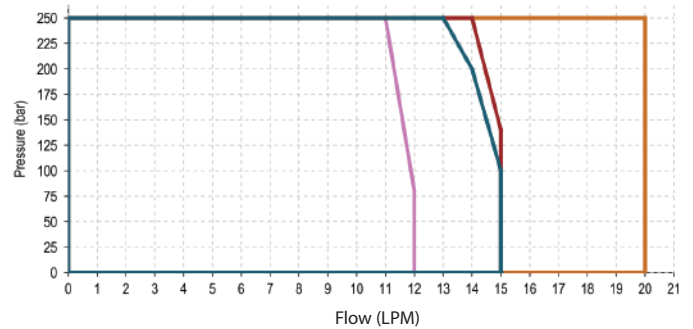
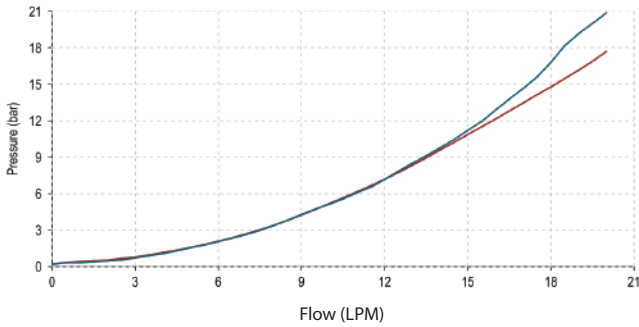


Hydraulic Symbol

### Technical Data

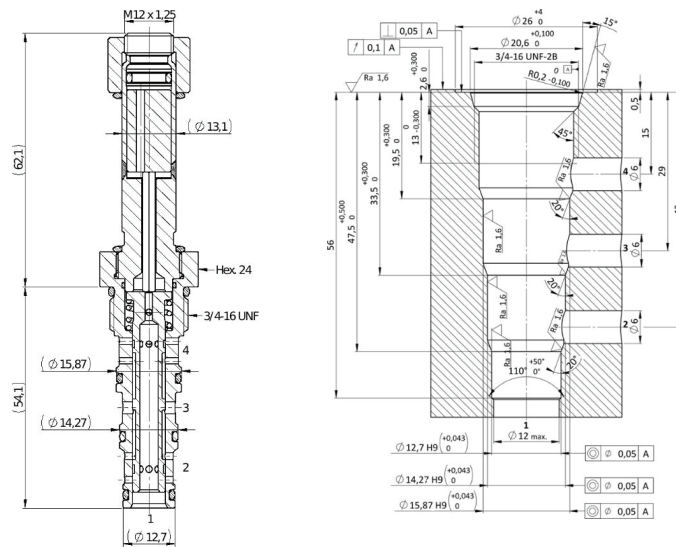
Maximum operating pressure	250 Bar
Maximum flow	20 LPM
Maximum internal leakage	150 cm <sup>3</sup> / min @ 250 Bar
External component treatment	Zn/Fe - standard (96h) Zn/Ni (720h)
O-ring Temperature Range	-30° C to 110° C (standard sealing NBR - BUNA-N )
Oil Temperature Range	-30° C to 110° C
Fluids	Mineral - based or synthetics with lubricating properties
Viscosities	7.4 to 420 cSt
Minimum pull-in voltage	85% of nominal
Filtration	20/18/15 ISO 4406 (maximum filtration admitted)
Orientation	No restrictions
Installation torque	25 - 30 Nm (Hex. 24)
Oil testing condition	ISO VG 46 cSt
Seal kit code	SLKT.065 & SLKT.027 (coil)
Coil	22W
Weight	0.160 kg

 Performance Curve



 Dimensional Drawing

Cross Section and Cavity Details



 Ordering Code

W E • A 0 • S 0 8 • 0 \* • A 0 0

valve basic code

**Cavity**  
S08 = 3/4 - 16 UNF with  
15.87 and 12.7  
nose sizes

**Marking**  
0 = standard factory  
marking. customized  
marking can be done  
upon request

**Flow path**  
3 to 2 and 1 to 4  
(de-energized)  
3 to 4 and 1 to 2  
(energized)

**Spring range**

Model Code	Type of Override
0	No Override
3	Push Pin
4	Push knob
8	Screw

**NOTE:** All Solenoid cartridge valves listed in the present catalogue are designed to work with D.C. power supply. To work with A.C. power supply, a RAC coil and connector with rectifier must be used. For any additional information, please contact your Sales contact representative.