

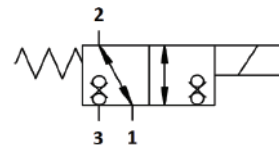


WE.I0.S10 Valve Series

SAE Cartridge - 250 Bar
Directional Valve - 3/2 Seated Type

Description & Operation

A Solenoid operated, 3 way 2 positions, seated type, direct acting, bi-directional blocking, screw-in hydraulic directional cartridge valve. In the de-energized mode, the WEI0.S10 allows flow bi-directionally between ports 1 and 2, while blocking flow at 3. In the energized mode, bi-directional flow is allowed between ports 3 and 2, while flow is blocked at 1 with extremely low leakage. Even if port 1 and 3 may be fully pressurized they are not intended to be used as the inlet. The rigid design using a 1-piece body contributes to minimize the effect of reliability. Low pressure drop thanks to optimized flow path

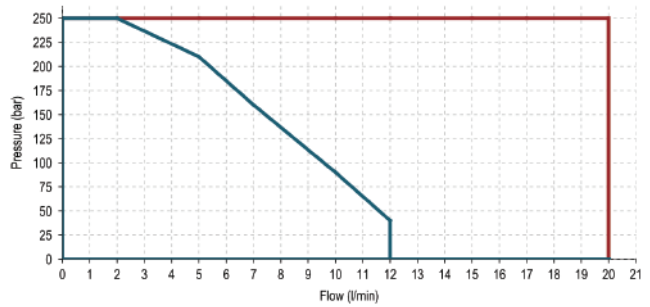
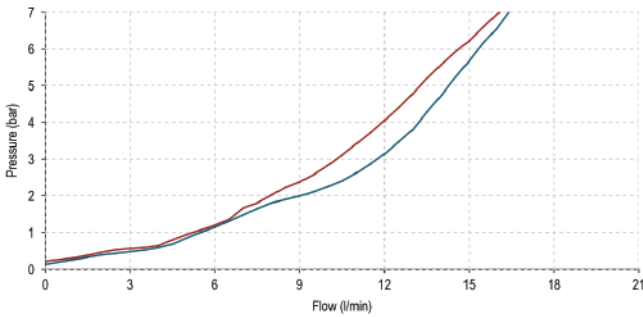


Hydraulic Symbol

Technical Data

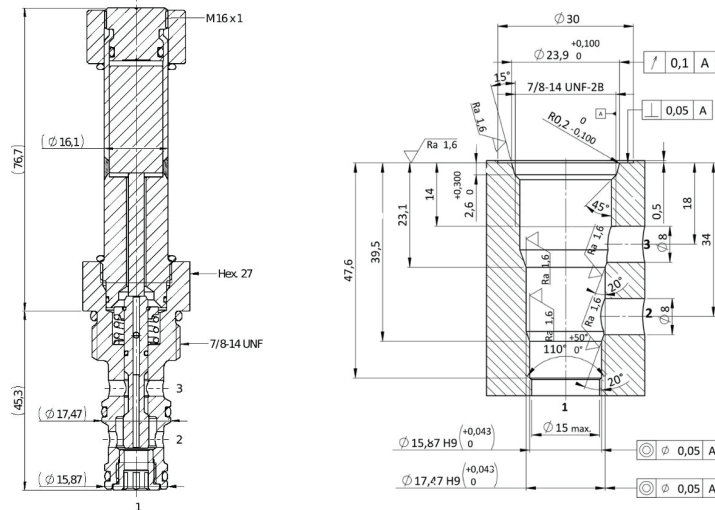
Maximum operating pressure	250 Bar
Maximum flow	20 LPM
Maximum internal leakage	0.25 cm ³ / min @ 250 Bar
External component treatment	Zn/Fe - standard (96h) Zn/Ni (720h)
O-ring Temperature Range	-30° C to 110° C (standard sealing NBR - BUNA-N)
Oil Temperature Range	-30° C to 110° C
Fluids	Mineral - based or synthetics with lubricating properties
Viscosities	7.4 to 420 cSt
Minimum pull-in voltage	85% of nominal
Filtration	20/18/15 ISO 4406 (maximum filtration admitted)
Orientation	No restrictions
Installation torque	35 - 40 Nm (Hex. 27)
Oil testing condition	ISO VG 46 cSt
Seal kit code	SLKT.076 and SLKT.070 (coil)
Coil	26W
Weight	0.231 kg

 Performance Curve



 Dimensional Drawing

Cross Section and Cavity Details



 Ordering Code

W E • 1 0 • S 1 0 • 0 * • 0 0 0

valve basic code

Cavity
S10 = 7/8 - 14 UNF with
ø17.47 and ø15.87
nose sizes

Marking
0 = standard factory
marking. customized
marking can be done
upon request

Manual Override

Model code	Type of Override
0	No Override
3	Push Pin
4	Push knob
8	Screw

NOTE: All Solenoid cartridge valves listed in the present catalogue are designed to work with D.C. power supply. To work with A.C. power supply, a RAC coil and connector with rectifier must be used. For any additional information, please contact your Sales contact representative.