



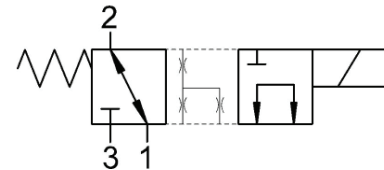
WE.P0.M18 (400) Valve Series

SAE Cartridge – 210 Bar

Directional Valve – 3/2 Spool Type scheme 400

Description & Operation

A solenoid valve operated, 3 way 2 positions, spool type, direct acting, screw-in hydraulic directional cartridge valve. In the de-energized mode, the SVP0.M18 allows flow bidirectionally between ports 1 and 2, while blocking flow at 3. In the energized mode, bidirectional flow is allowed between ports 1 and 3, while flow is blocked at 2. Even if port 2 may be fully pressurized, it is not intended to be used as the inlet. The rigid design using a 1-piece body contributes to minimize the effect of eccentricities in cavity and provides great reliability. Low pressure drop thanks to optimized flow path.

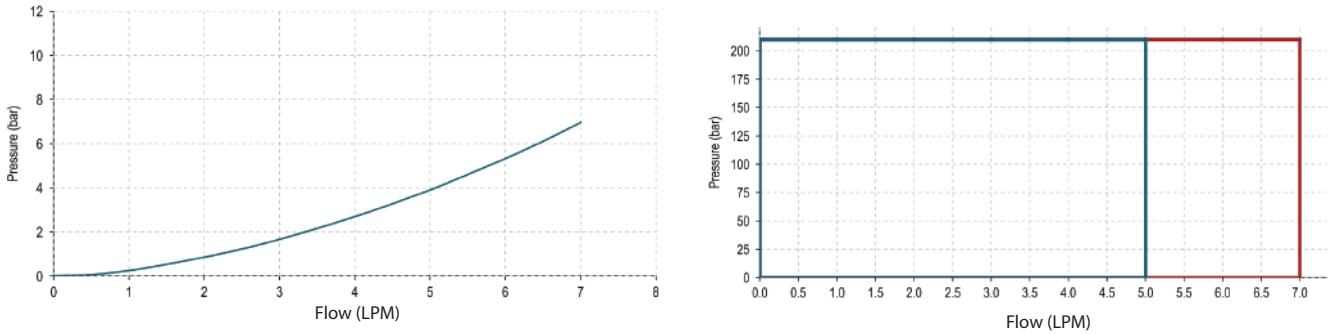


Hydraulic Symbol

Technical Data

Maximum operating pressure	210 Bar
Maximum flow	7 LPM
Maximum internal leakage	50 cm ³ / min @ 210 Bar
External component treatment	Zn/Fe - standard (96h) Zn/Ni (720h)
O-ring Temperature Range	-30° C to 110° C (standard sealing NBR - BUNA-N)
Oil Temperature Range	-30° C to 110° C
Fluids	Mineral - based or synthetics with lubricating properties
Viscosities	7.4 to 420 cSt
Filtration	20/18/15 ISO 4406 (maximum filtration admitted)
Orientation	No restrictions
Installation torque	10 - 15 Nm (Hex. 24)
Oil testing condition	ISO VG 46 cSt
Seal kit code	SLKT.003 & SLKT.027 (coil)
Coil	22W
Weight	0.110 kg

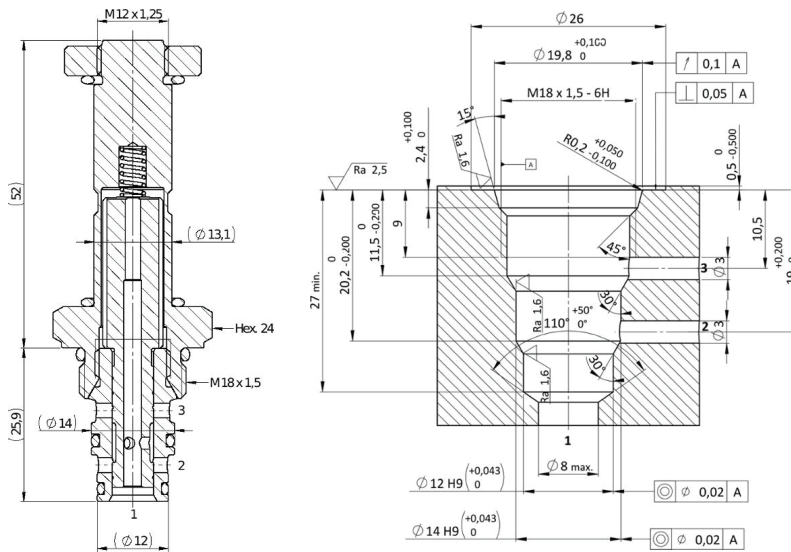
Performance Curve



Note: The performance chart illustrates flow handling capacity in both directions (1 to 2 and 2 to 1). p/Q curves are recorded at TOil = 40°C and 46 cSt

Dimensional Drawing

Cross Section and Cavity Details



Ordering Code

W E • P 0 • M 1 8 • 0 * • 4 0 0

valve basic code

Cavity
S08 = 3/4- 16 UNF with 12.7 nose size
 Other available optoins:
S09 = 3/4- 16 UNF with 15.87 nose sizes

Marking
0 = standard factory marking. customized marking can be done upon request

Spring range

model code	Type of Override
0	No Override
2	Push & Twist
3	Push pin
4	Push Knob
8	Screw

Filtration

model code	Type of Filter
N	No Filter
F	Standard filter (Mesh size 280µm)

Note=Customized filters can be done upon request

NOTE: All Solenoid cartridge valves listed in the present catalogue are designed to work with D.C. power supply. To work with A.C. power supply, a RAC coil and connector with rectifier must be used. For any additional information, please contact your Sales contact representative.