



## WE.T0.S12 Valve Series

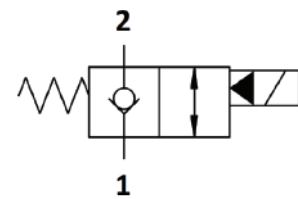
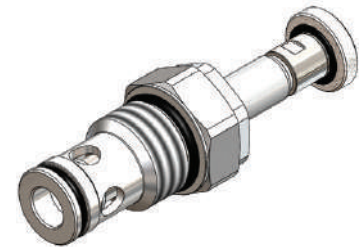
**SAE Cartridge – 350 Bar**

**NC Single Lock Pilot Operated – Poppet Type**



### Description & Operation

Solenoid operated, 2-way 2-positions, normally closed, piloted poppet type, screw-in cartridge valve. Typically used as a blocking or load holding device for high pressure circuits. When the coil is de-energized, the SVT0.S12 acts as check valve allowing free flow from 1 to 2, while blocking from 2 to 1. When the coil is energized the poppet lifts and opens both the 2 to 1 and 1 to 2 flow paths. The rigid design using a 1-piece body contributes to minimize the effect of eccentricities in cavity and provides great reliability. Low pressure drop thanks to optimized flow path.



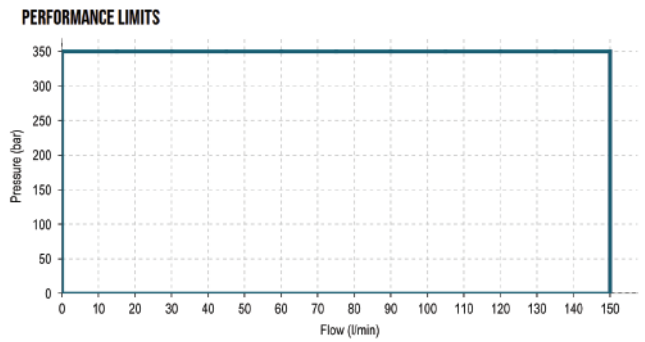
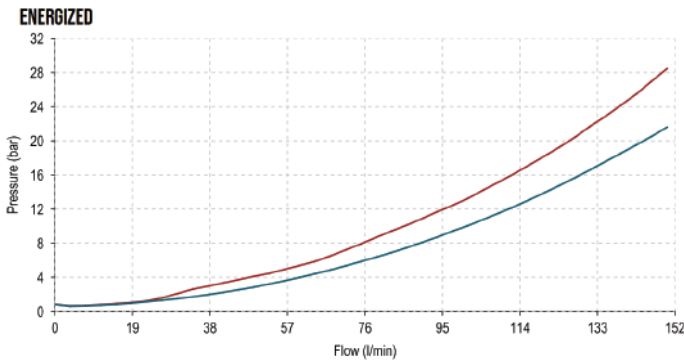
Hydraulic Symbol



### Technical Data

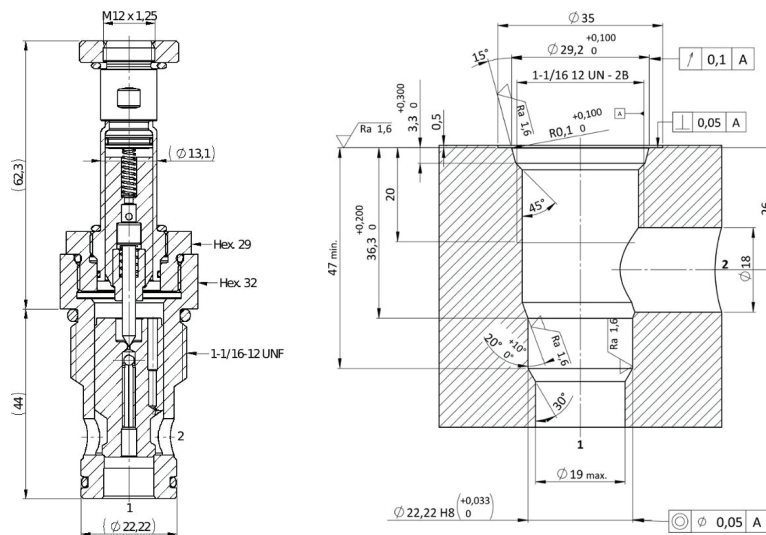
Maximum operating pressure	350 bar
Maximum flow	150 l/min
Maximum internal leakage	0,25 cm <sup>3</sup> / min @350 bar
External component treatment	Zn/Fe - standard (96h) Zn/Ni (720h)
Switch ON Time	40 ms
Switch OFF Time	90 ms
O-ring Temperature Range	-30° C to 110° C (standard sealing NBR - BUNA-N)
Oil Temperature Range	Oil Temperature Range
Fluids	Mineral - based or synthetics with lubricating properties
Viscosities	7.4 to 420 cSt
Minimum pull-in voltage	85% of nominal
Filtration	20/18/15 ISO 4406 (maximum filtration admitted)
Orientation	No restrictions
Installation torque	85-95 Nm (Hex. 32)
Oil testing condition	ISO VG 46 cSt
Seal kit code	SLKT.077 & SLKT.027 (COIL)
Coil	22W
Weight	0,254 kg

**Performance Curve**



**Dimensional Drawing**

**Cross Section and Cavity Details**



**Ordering Code**

**W E • T O • S 1 2 • 0 \* • N O O**

valve basic code

**Cavity**  
S12 = 1-1/16 - 12 UN  
with  $\varnothing 22.22$  nose size

**Marking**  
0 = standard factory marking. customized marking can be done upon request

**Manual Override**

Model code	Type of Override
0	No Override
1	Screw
2	Push and Twist
6	Pull And Hold

**NOTE:** All Solenoid cartridge valves listed in the present catalogue are designed to work with D.C. power supply. To work with A.C. power supply, a RAC coil and connector with rectifier must be used. For any additional information, please contact your Sales contact representative.

**SOLENOID VALVES**