

CARTRIDGE RELIEF VALVE 35 LPM



VMPC 35

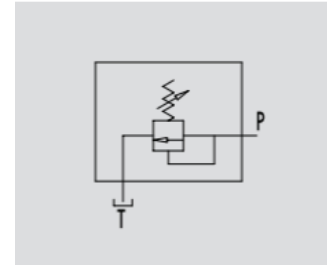
Flow Upto 35 LPM
Pressure 300 Bar

Description & Operation

The relief valve limits the maximum pressure in a circuit to the valve's setting.

When the circuit pressure reaches the setting, the valve opens and stops the circuit pressure going any higher.

Fit the valve in the appropriate cavity.



Hydraulic Symbol

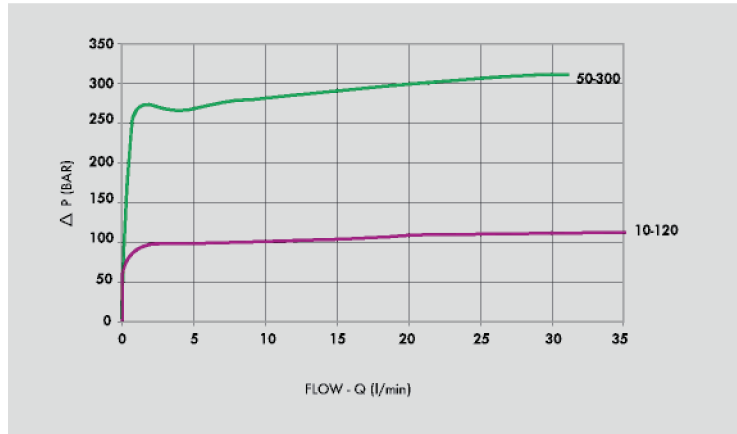
Technical Data

Maximum Flow	35 LPM
Maximum Pressure	300 Bar
Body Material	Steel
Internal Parts	Hardened and Ground steel
External Component treatment	Zn/Fe - standard (96h) / Zn/Ni (720h)
Oil Temperature	50 Deg. C
Fluids	Mineral based or synthetics with lubricating properties
Viscosity	30 cSt
Standard Sealing	NBR-Buna N
Filtration	20/18/15 ISO 4406 (Max. Filtration admitted)
Orientation / Mounting	Inline
Weight	See Ordering details

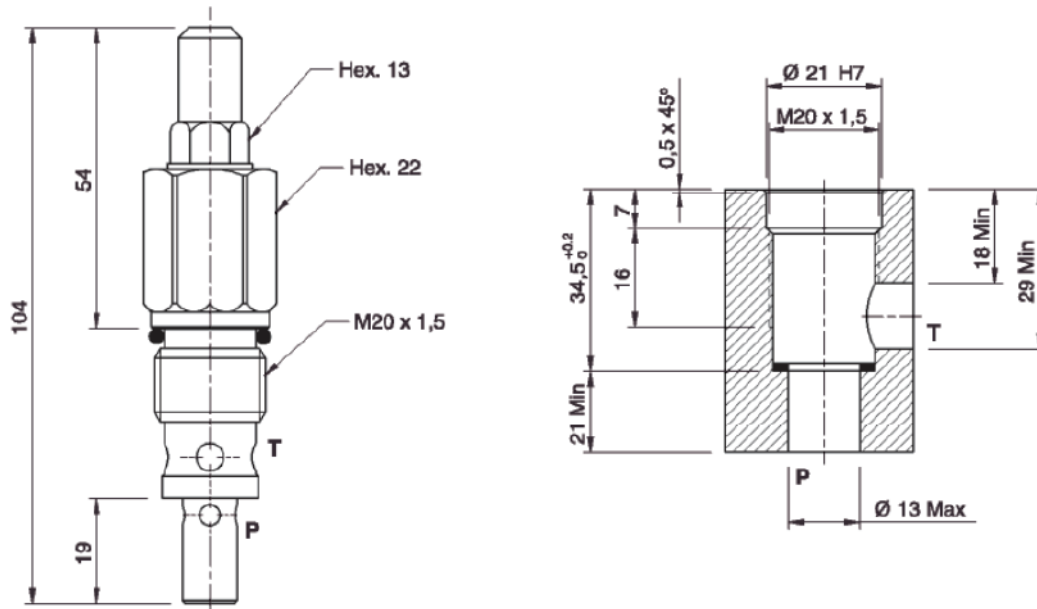
Specifications

Type	Max.Flow	Pressure Range
	LPM	Bar
VMPC 35 10-120 BAR	35	10-120
VMPC 35 50-300 BAR	35	50-300

 **Performance Curve**



 **Dimensional Drawing**



 **Ordering Details**

Code	Type	M	Weight
		MET	Kg
R-VC0350/120	VMPC 35 10-120 BAR	M20X1.5	0.155
R-VC0350/300	VMPC 35 50-300 BAR	M20X1.5	0.155

 **Adjustment**

CODE/V	Handknob
CODE/PP	Arranged for sealing cap
CODE/P	Sealing cap

RELIEF VALVES