



## S.D0.S08 Valve Series

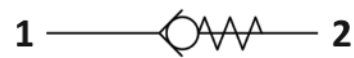
**SAE Insert – 350 Bar**

**Direct acting – Poppet type**



### Description & Operation

A screw-in, direct acting, poppet type in-line check valve. Main use is as a blocking or load-holding device. The S.D0.S08 allows flow passage from port 1 to 2: the cartridge has a fully guided check which is spring-biased closed until sufficient pressure is applied at port 1 to open to 2. The flow is blocked in the opposite direction (2 to 1).



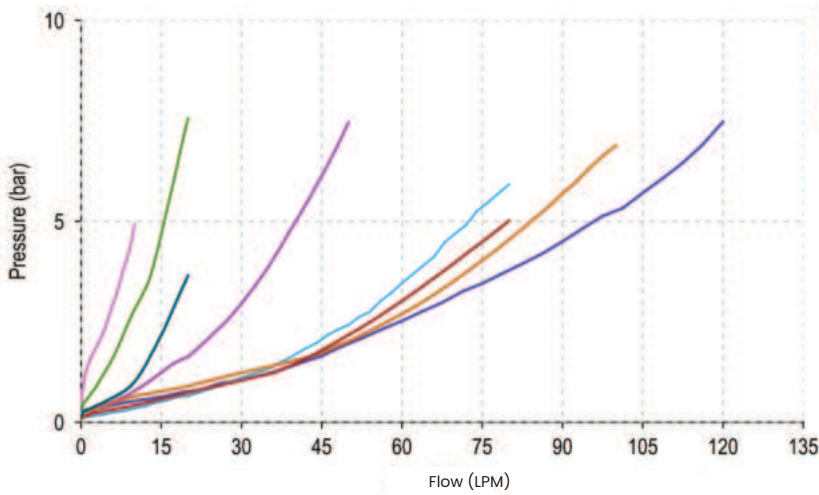
Hydraulic Symbol



### Technical Data

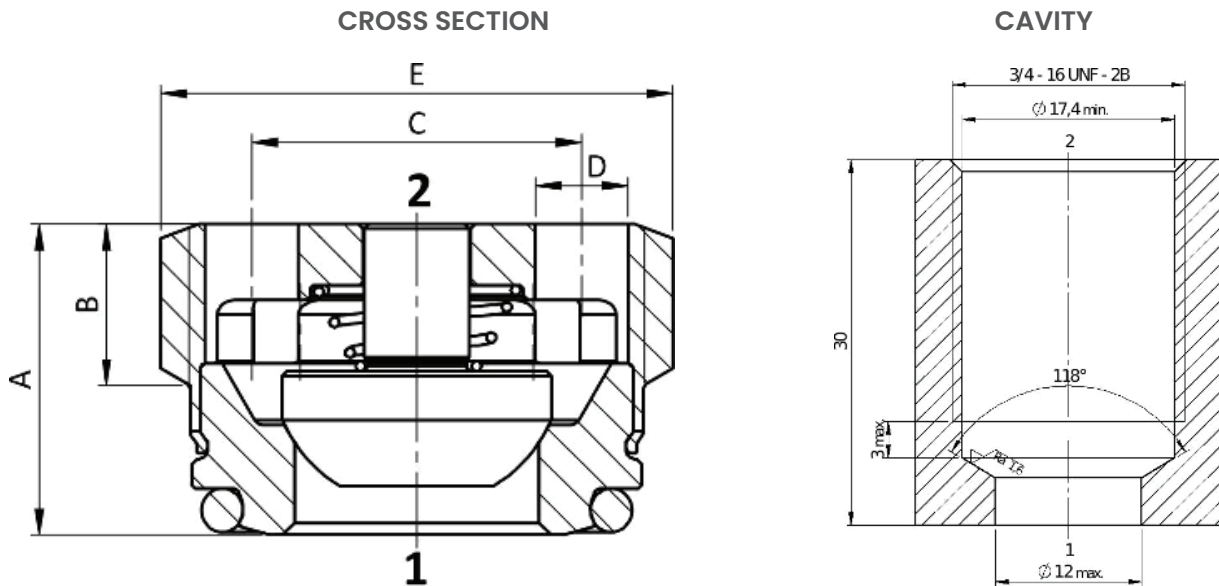
Maximum operating pressure	350 Bar
Maximum flow	80 LPM
Maximum internal leakage	0.1 cm <sup>3</sup> / min @ 10 Bar 0.1 cm <sup>3</sup> / min @ 350 bar
External component treatment	Zn/Fe - standard (96h) Zn/Ni (720h)
O-ring Temperature Range	-30° C to 110° C (standard sealing NBR - BUNA-N)
Oil Temperature Range	-30° C to 110° C
Fluids	Mineral - based or synthetics with lubricating properties
Viscosities	7.4 to 420 cSt
Filtration	20/18/15 ISO 4406 (maximum filtration admitted)
Orientation	No restrictions
Installation torque	10 Nm
Oil testing condition	ISO VG 46 cSt
Seal kit code	SLKT.108
Weight	0.016 kg

**Performance Curve**



**Note:**  
The performance chart illustrates flow handling capacity. p/Q curves are recorded at T<sub>Oil</sub> = 40°C and 46 cSt.

**Dimensional Drawing**



**Ordering Code**

S • D 0 • S 0 8 • 0 \* • 0 0 0

Valve Basic Code

000= standard configuration

Cavity  
S08 = METRIC S08 x 1

Marking  
0 = standard factory marking. customized marking can be done upon request

Bias Spring Options

Spring Model Code	Cracking pressure (Bar)
X	3.0
Y	118
Z	12,9
W	07